

# teide plus+ valves



TECHNICAL SHEET 07/2017 | IP20050

## SCOPE

TEIDE PLUS+ Series are manual radiator valves intended to be used in individual or collective bi-tube heating installations. These types of valves allow the regulation and control of the water flow in the radiator of a bi-tube heating installation.

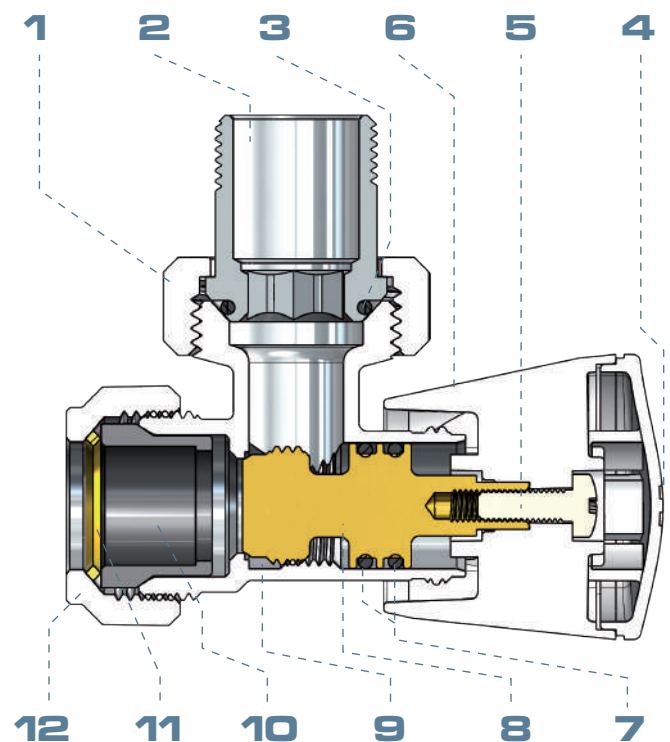
## SERVICE CONDITIONS

Nominal pressure: 10 bar  
Temperature range: Hot water up to 110°C

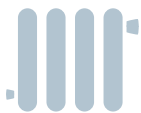
## COMPONENTS

Item	Component	Material	Treatment
1	Nut	European Brass CW617N	Chrome
2	Coupling	European Brass CW614N	Chrome
3	O-ring	NBR	
4	Upper	ABS	
5	Screw	Brass	Nickel
6	Handle	ABS	
7	O-ring*	EPDM	
8	Stem	European Brass CW614N	
9	Body	European Brass CW617N	Chrome
10	Sleeve	NBR	
11	Ring	Brass	
12	Nut	European Brass CW617N	Chrome

Nickel finished in every solder models.  
\* Viton for Solder valves







## MAIN CONSTRUCTIVE FEATURES

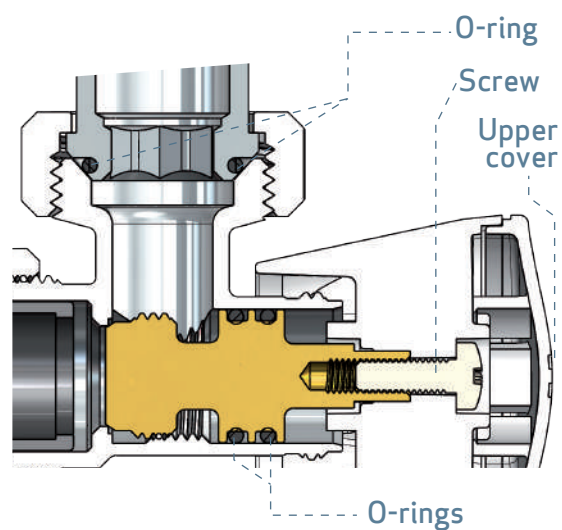
### External leaktightness

A double EPDM seal placed on the stem assures external leaktightness.

The system with double seal provides extra safety against leaks, aging, wear...

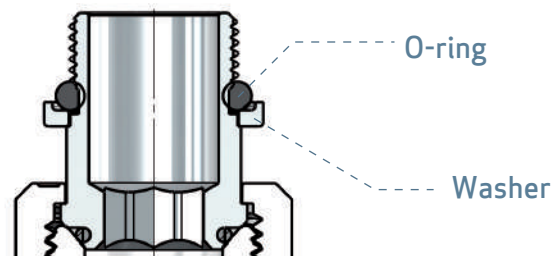
### Handle with hidden screw

The new handle is connected to the valve's stem via a screw to facilitate any subsequent operation of maintenance or removal, this screw is hidden by the upper cover.



### Anti Drip O-ring

An EPDM O-ring placed in the coupling and positioned by a washer prevents a possible drip between the radiator and the valve coupling.

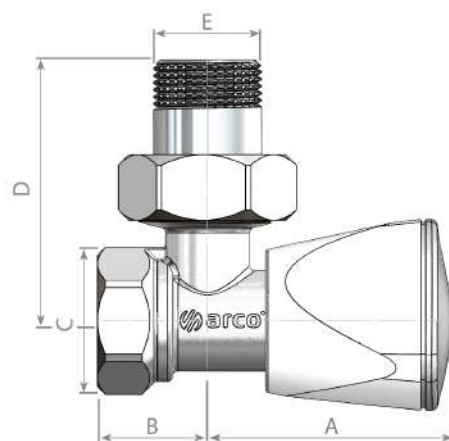




## DIMENSIONS

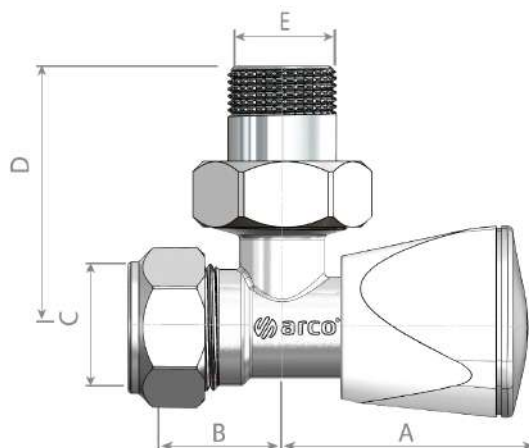
### Screwed angle

Size	A	B	C	D	E
3/8	46,5	21	3/8	50	3/8
1/2	46,5	21	1/2	50	1/2
3/4	46,5	25	3/4	54	3/4



### Compression angle for copper pipe

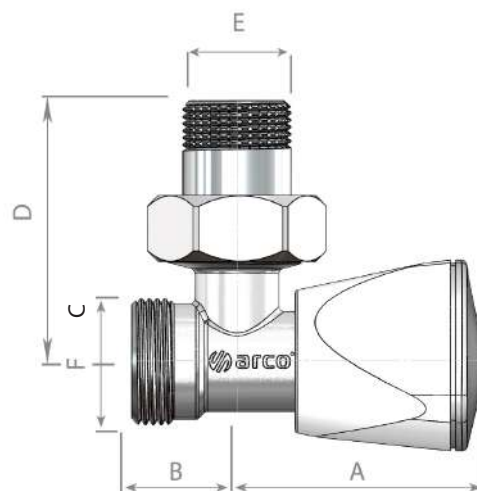
Size	A	B	C	D	E
3/8x12	46,5	29	12	50	3/8
1/2x12	46,5	29	12	50	1/2
1/2x14	46,5	29	14	50	1/2
1/2x15	46,5	29	15	50	1/2



### Multilayer angle

Size	A	B	C	D	E
1/2	46,5	20	M24x1,5	50	1/2

\* Coupling fitting for ø16 & ø20 pipe, check available catalogue.





## DIMENSIONS

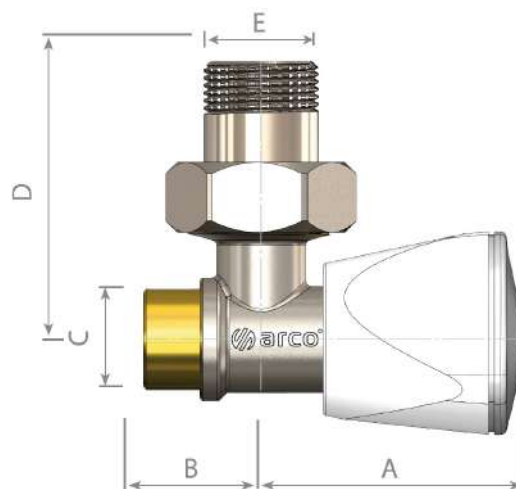
### Screwed straight

Size	A	B	C	D	E
3/8	46	22	54	3/8	3/8
1/2	46	22	54	1/2	1/2
3/4	50	29	54	3/4	3/4



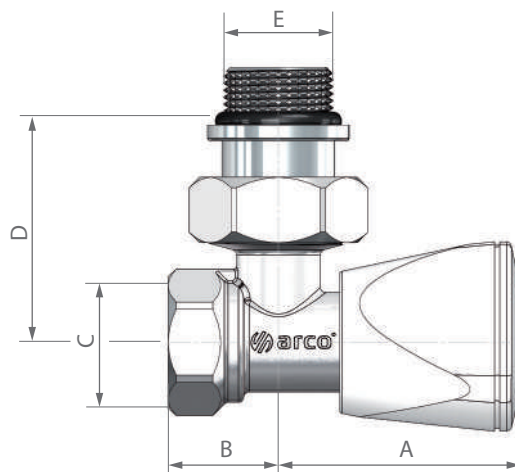
### Angle solder

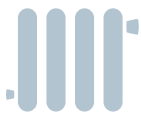
Size	A	B	C	D	E
3/8x12	46,5	21,5	12	50	3/8
1/2x15	46,5	21	15	50	1/2



### Screwed Angle – Anti Drip O-Ring

Size	A	B	C	D	E
1/2	47	21	1/2	53	1/2

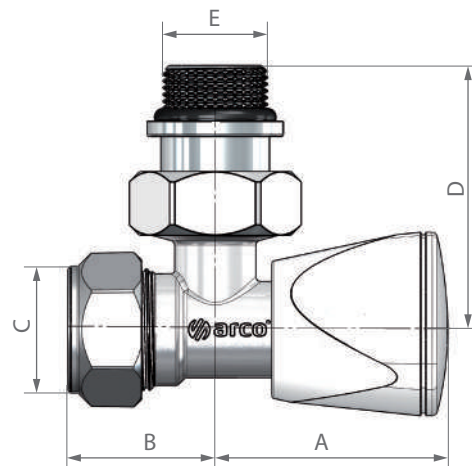




## DIMENSIONS

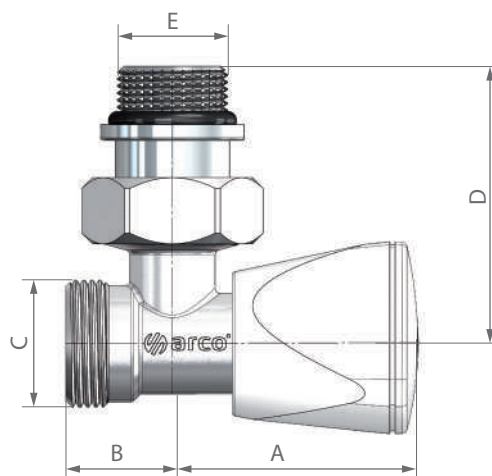
### Compression Angle for Copper Pipe Anti Drip O-Ring

Medida	A	B	C	D	E
3/8x12	47	29	12	51	3/8
1/2x15	47	30	15	53	1/2



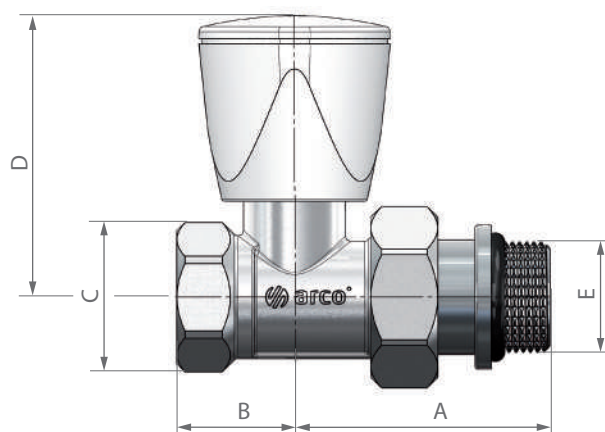
### Multilayer Angle – Anti Drip O-Ring

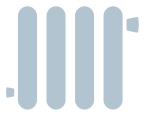
Size	A	B	C	D	E
1/2	47	20	M24x1,5	53	1/2



### Screwed Straight – Anti Drip O-Ring

Size	A	B	C	D	E
1/2	46	22	1/2	54	1/2





## POLISHED FINISHES



Screwed Angle



Compression Angle  
for Copper Pipe



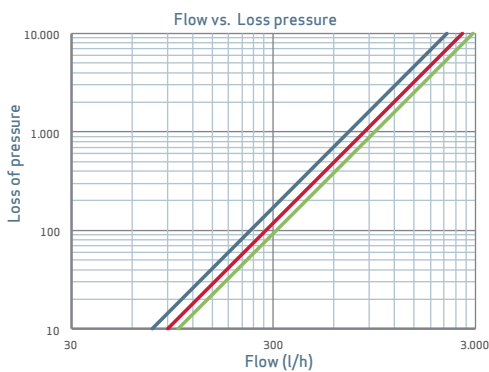
Multilayer Angle



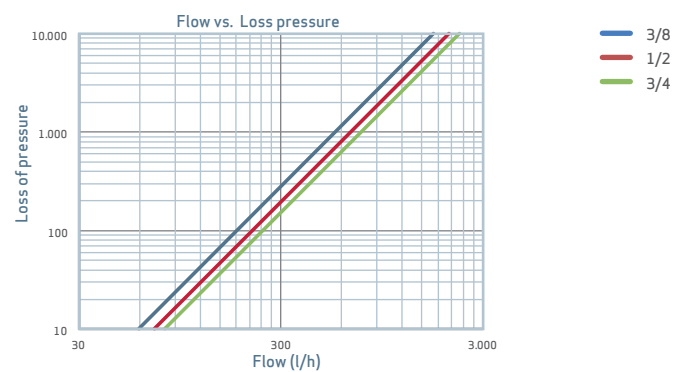
Screwed Straight

## HYDRAULIC FEATURES

### TEIDE PLUS+ ANGLE



### TEIDE PLUS+ STRAIGHT



## INSTALLATION AND ASSEMBLY

Check the "heating instructions of installation".



Av. del Cid, 16  
46134 | Foios | Valencia | Spain

Engineering department:  
Tel: +34 963 171 070  
tecnica@valvulasarco.es  
**valvulasarco.com**



Every product has an impact on the environment during all stages of its life-cycle, including final disposal. All components of these valves can be recycled, deposit the valve in a green or recycled point when no longer useful.  
Válvulas ARCO, SL reserves the right to change our products and specifications at any time and without prior notice.